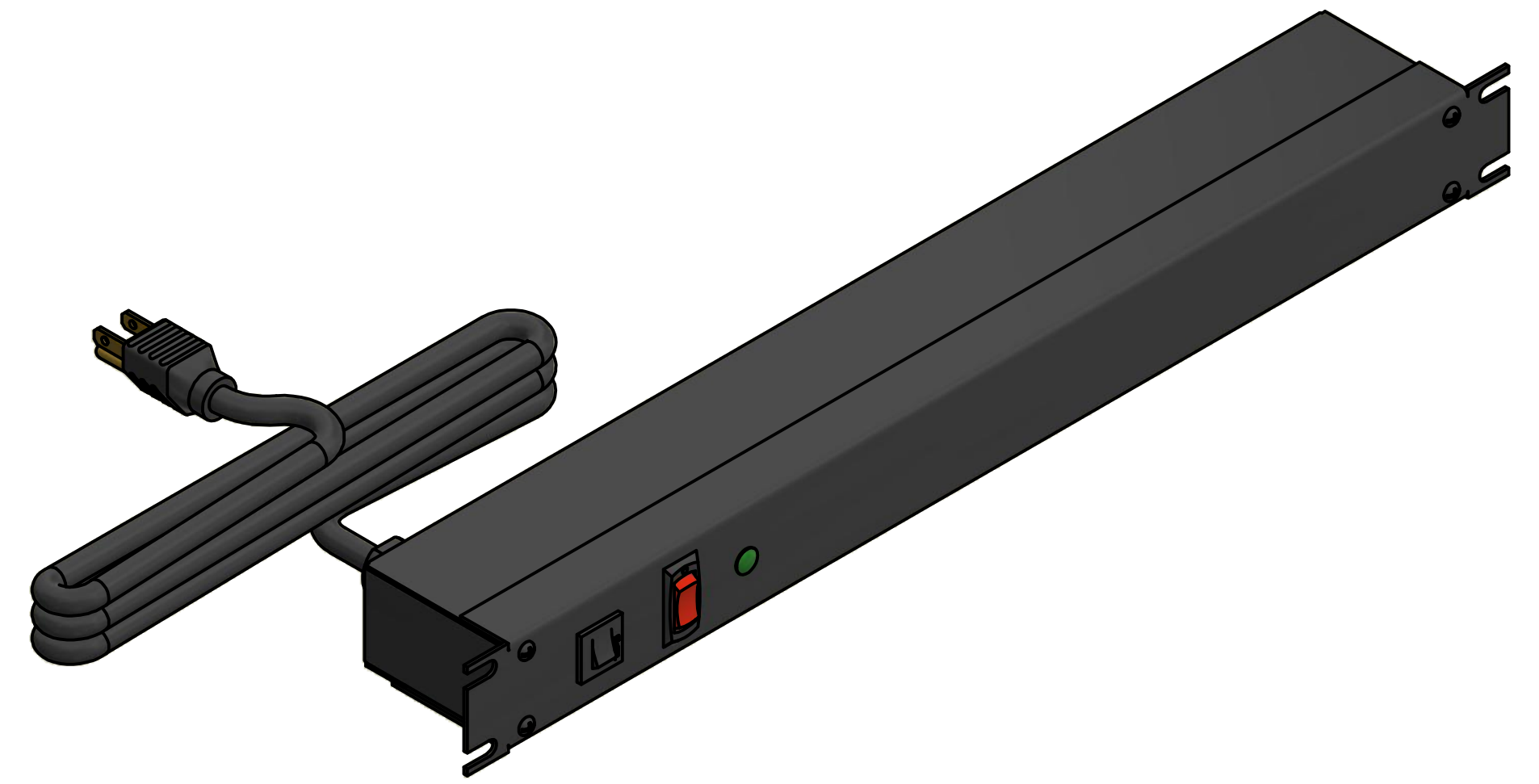
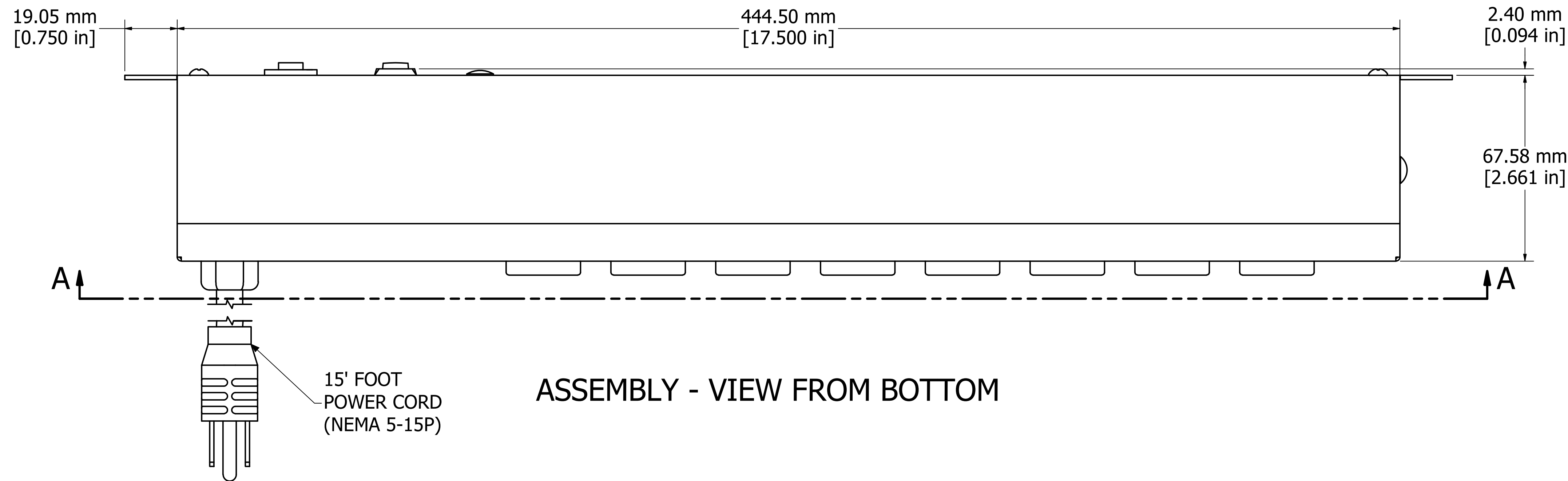


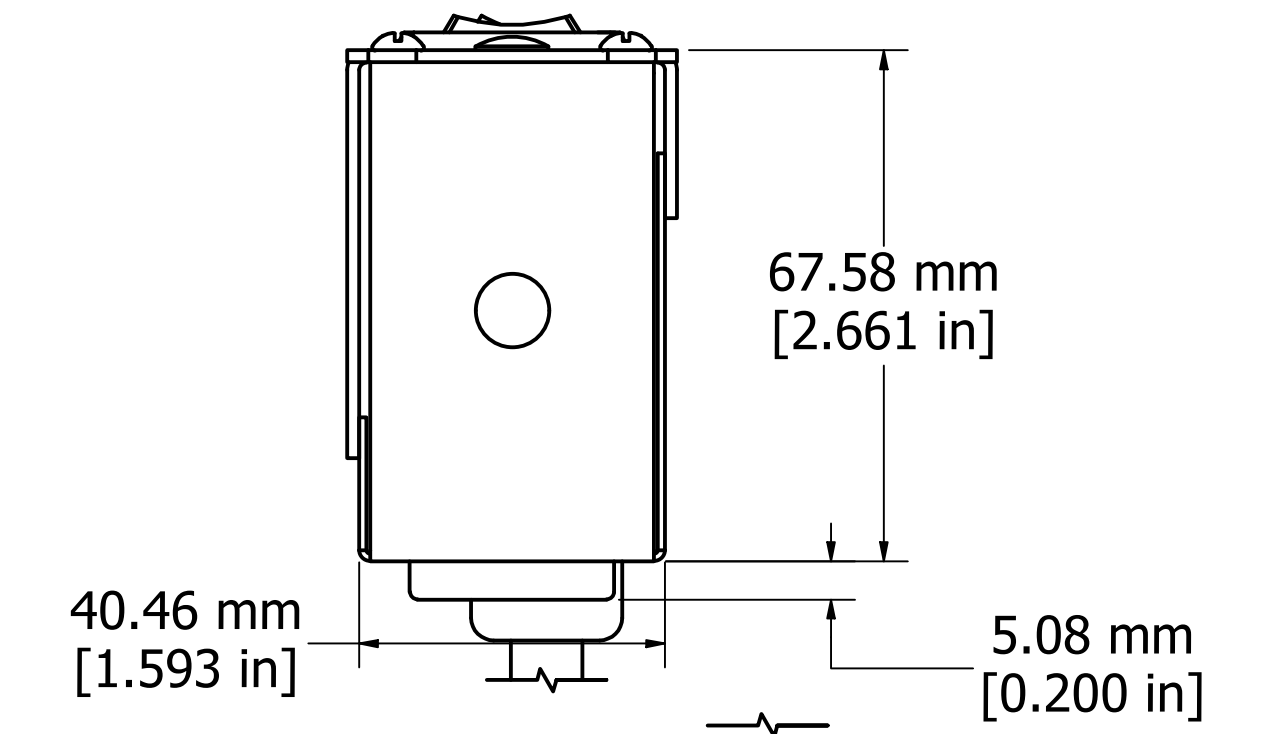
ASSEMBLY - VIEW FROM FRONT



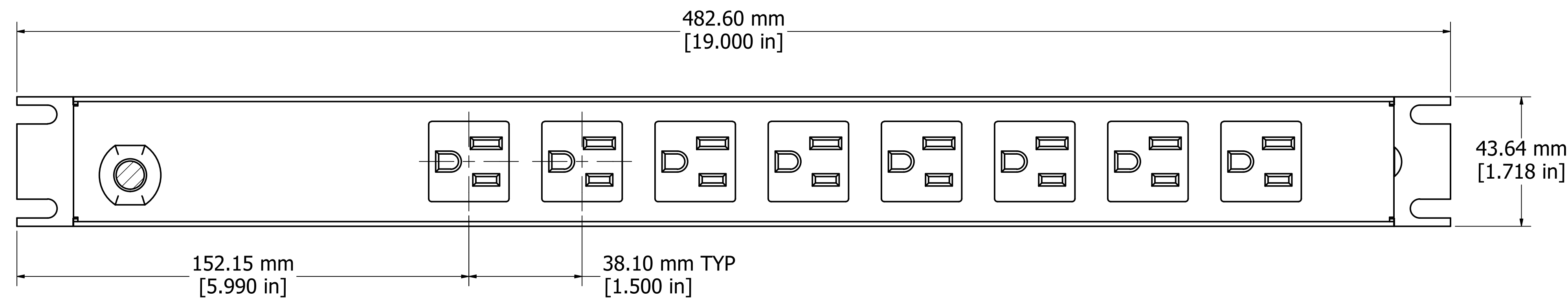
ISOMETRIC VIEW



ASSEMBLY - VIEW FROM BOTTOM



ASSEMBLY - VIEW FROM SIDE



SECTION A-A

1583H8B1SBK
Finish - Front - Black Painted Steel
Back - Black Painted Steel
Rated - 125 VAC, 60 Hz, 15 Amps
Approvals - cURus Recognized to: UL1449 & C22.2 No. 269.3-17
Surge Specs - 1080 Joules, 75000 Amps Transient Current
- 500V Voltage Protection Rating (VPR)



**HAMMOND
MANUFACTURING™**
1583H8B1SBK
www.hammondmfg.com